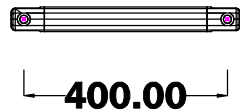


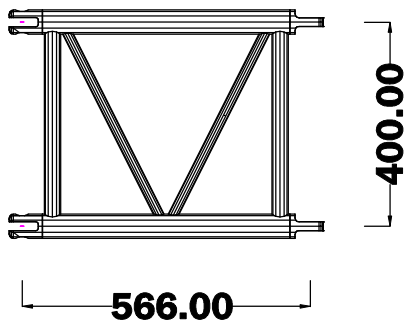
**PLAN**  
90 Degree Gate



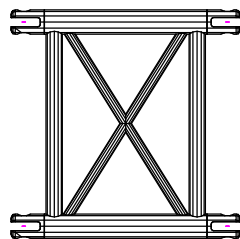
**PLAN**  
3 Way Joiner Gate (female)



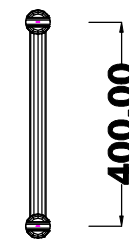
**SIDE ELEVATION**  
90 Degree Gate



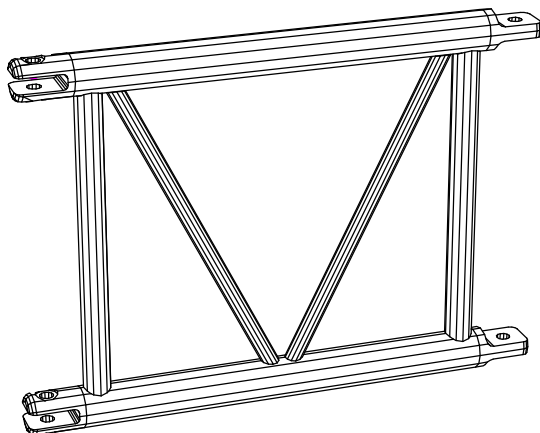
**SIDE ELEVATION**  
3 Way Joiner Gate (female)



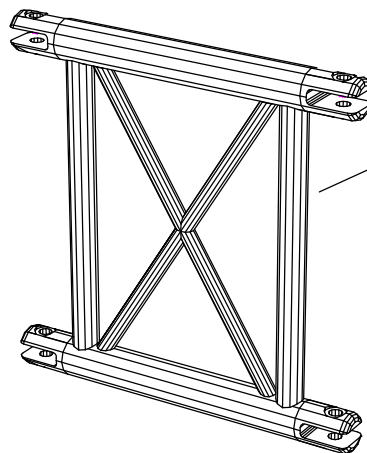
**END ELEVATION**  
Both Types



**PERSPECTIVE VIEW**  
90 Degree Gate



**PERSPECTIVE VIEW**  
3 Way Joiner Gate (female)



**\*NOTE: Male version also available**

Last Revised 17/05/2001  
Text and Baseplate update & software version

Client: **IN HOUSE**  
Project: **400mm Alloy Box truss**  
Drawing: **Joiner Gates - 90 deg Corner & 3 Way**  
Drawing Details: **Plan, Side/End elev. & Perspective**  
Scale: **See Drawing** Drawing No: **001-C 3of4**  
Version: **2.0** Date: **18/04/1998**  
Drawing Name: **400GATES.DWG (Plate 1)**  
Drawing by: **Beau Southey**



138 - 146 Brown's Road Noble Park Victoria 3174  
Tel: 613 9701 2355 Fax: 613 9701 2511 Mob: 0409 413 908

THIS DRAWING AND ALL ASSOCIATED FILES REMAIN THE STRICT PROPERTY OF BROWN'S PRECISION WELDING Pty. Ltd.  
NOT TO BE REPRODUCED IN ANY FORM, WITHOUT THE EXPRESSED PERMISSION OF BROWN'S PRECISION WELDING Pty. Ltd.  
COPYRIGHT 2001.