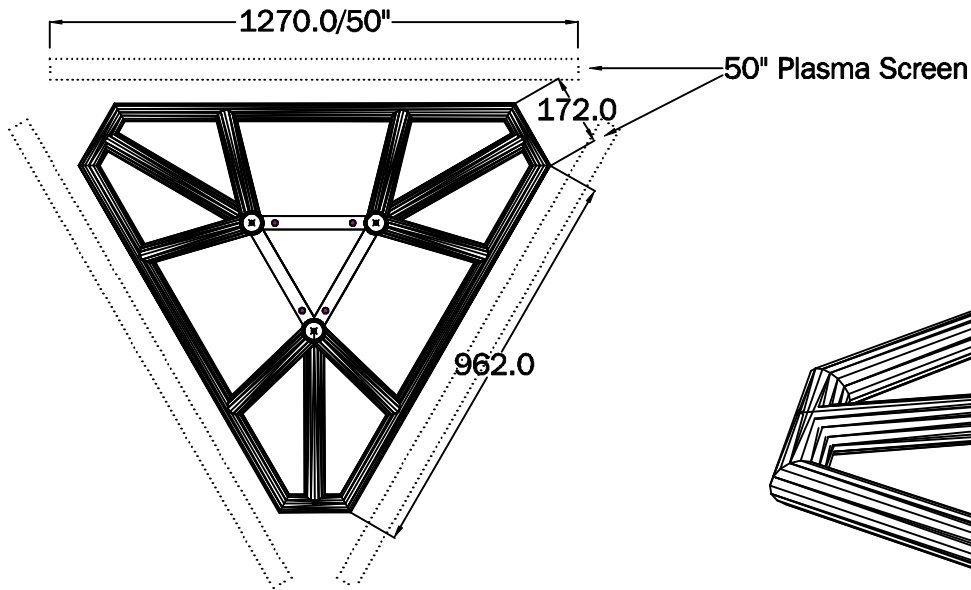
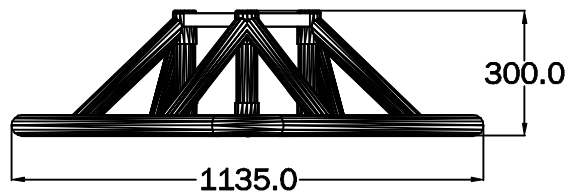


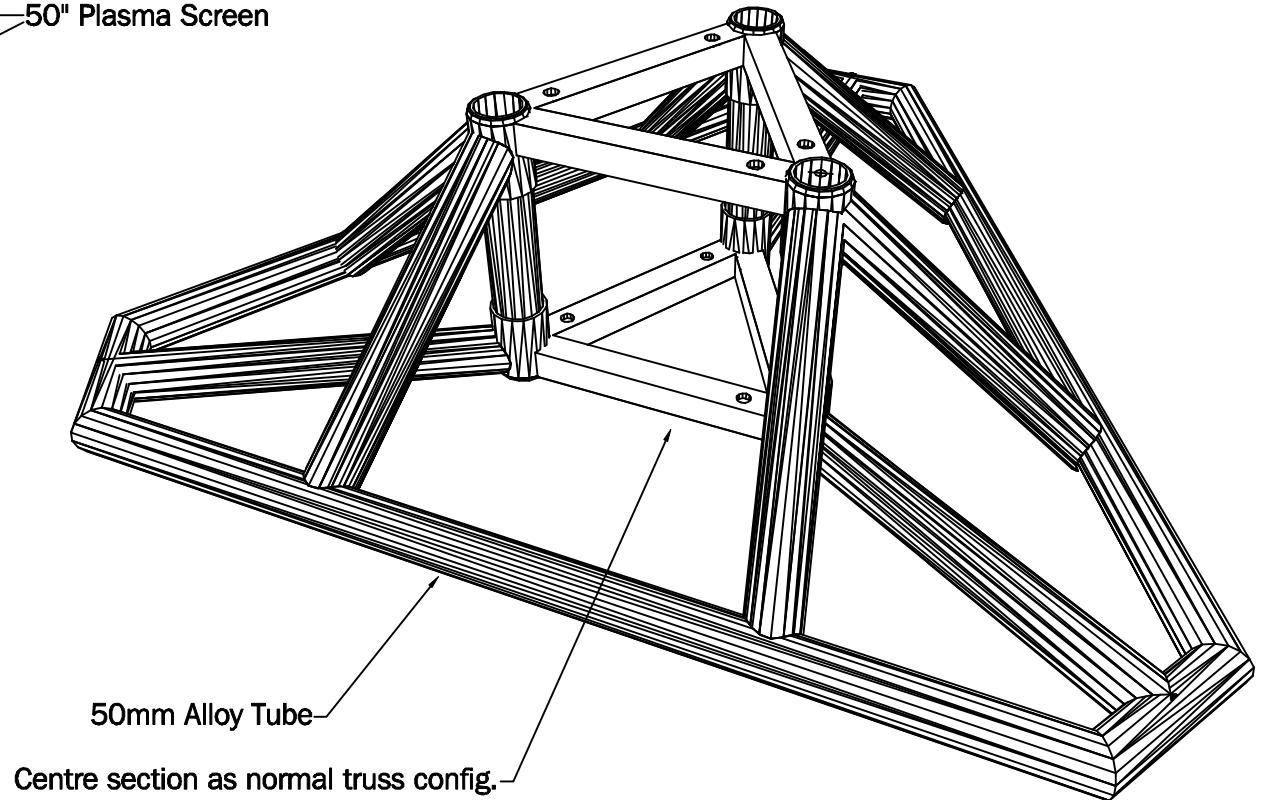
PLAN



SIDE ELEVATION



PERSPECTIVE VIEW



Client: **IN HOUSE**

Project: **TRIPLE PLASMA TRITRUSS ADAPTOR**

Drawing: Proposed design & construction detail

Drawing Details: Plan, Side elev. & Perspective view

Scale: See Drawing for Dims. Drawing No: 001-A 1 of 1

Version: 1.0

Date: 5/09/2001

Drawing Name: Tri-Plasma50.DWG (Plate 1)

Drawing by: Beau Southey



138-146 Browns Road Noble Park Victoria 3174
Tel: 613 9701 2355 Fax: 613 9701 2511 Mob: 0409 413 908

THIS DRAWING AND ALL ASSOCIATED FILES REMAIN THE STRICT PROPERTY OF BROWN'S PRECISION WELDING Pty. Ltd.
NOT TO BE REPRODUCED IN ANY FORM, WITHOUT THE EXPRESSED PERMISSION OF BROWN'S PRECISION WELDING Pty. Ltd.
COPYRIGHT 2001