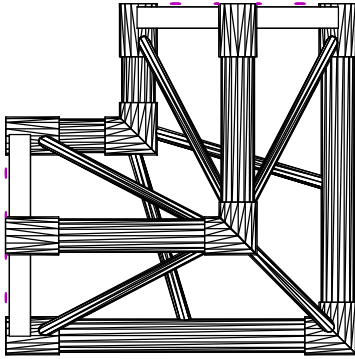
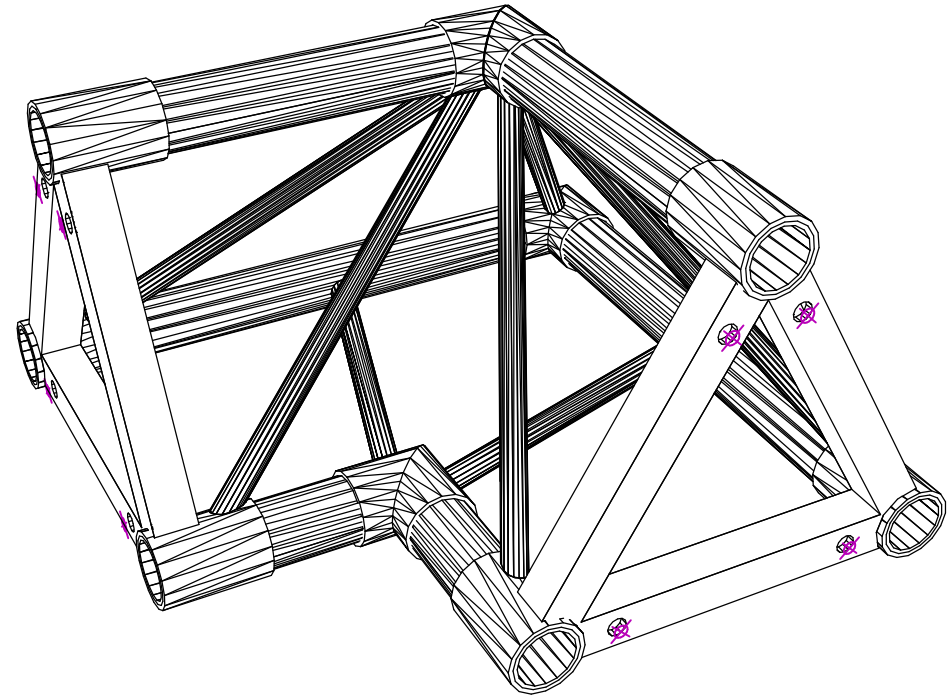


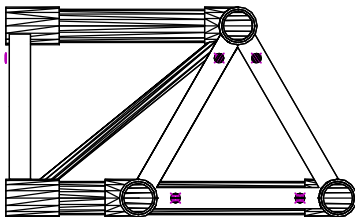
Plan



Perspective View



Side Elevation



Client: **IN HOUSE**

Project: **300mm Horizontal TriTruss Corner**

Drawing: **Material Specs. & Dims.**

Drawing Details: **Plan, Side Elev. & Perspective**

Scale: **See Drawing for measures** Drawing No: **001-A**

Version: **1.0** Date: **18/05/2001**

Drawing Name: **Tricorn-horiz.DWG (Plate 1)**

Drawing by: **Beau Southey**



138 - 146 Browns Road Noble Park Victoria 3174
Tel: 613 9701 2355 Fax: 613 9701 2511 Mob: 0409 413 908

THIS DRAWING AND ALL ASSOCIATED FILES REMAIN THE STRICT PROPERTY OF BROWN'S PRECISION WELDING Pty. Ltd.
NOT TO BE REPRODUCED IN ANY FORM, WITHOUT THE EXPRESSED PERMISSION OF BROWN'S PRECISION WELDING Pty. Ltd.
COPYRIGHT 2001.