

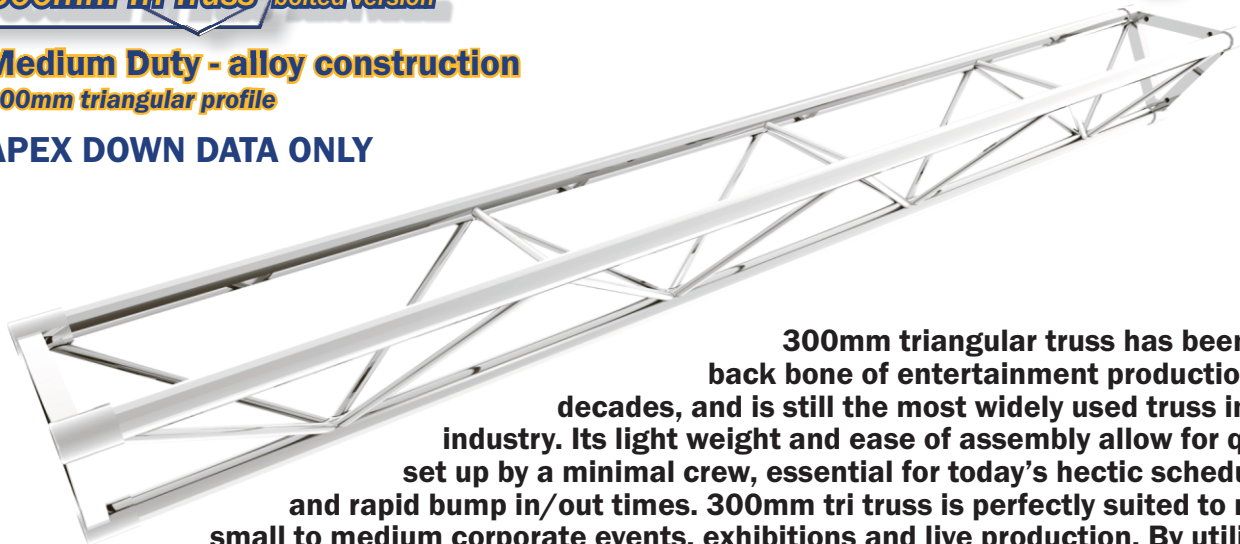


Load Data & Graphs

300mm Tri Truss - bolted version

Medium Duty - alloy construction
300mm triangular profile

APEX DOWN DATA ONLY



300mm triangular truss has been the back bone of entertainment production for decades, and is still the most widely used truss in the industry. Its light weight and ease of assembly allow for quick set up by a minimal crew, essential for today's hectic scheduling and rapid bump in/out times. 300mm tri truss is perfectly suited to most small to medium corporate events, exhibitions and live production. By utilising the wide range of standard corners and section lengths available, any number of configurations and aspects are possible, providing the building blocks for a high strength structure, which can easily be tailored to suit both the scenic & rigging requirements of each individual production. A recommended max. span of 15 mtrs. is achievable when supported at each end. *SWL's have been calculated for vertical static loads only and a safety factor of 1.85:1 has been applied. All load data derived from calculations based on a 3 metre length.

main chords : 50.0 x 3.0mm aluminium alloy diagonals & secondary 90 deg. bracing: 19 x 3mm aluminium alloy end plates: 31.75 x 6mm SHS aluminium alloy Connections via: 43mm CHS spigot pins and 1/2" UNC Gr 8.8 boltsets

SPAN in metres	max. allowable STATIC uniform loads		max. allowable STATIC point loads		
	↓ ↓ ↓ ↓ ↓ ↓ ↓ ↓		Centre point ↓	Third point ↓ ↓	Quarter point ↓ ↓ ↓
	LOAD kg/metre	LOAD kg	LOAD kg	LOAD kg	LOAD kg
3	395	1185	1181	593	395
6	137	822	412	308	206
9	52	468	233	174	116
12	26	312	160	120	79
15	15	225	112	72	56

Sleeve pins & 1/2" unc gr 8.8 boltsets (bolt/nut/2washers) thru 14mm holes in endplates

Data used in this chart prepared from independent calculations produced by:

A. F. Colafella & Associates structural & civil engineers.

All computations and computer analysis carried out in accordance with AS - 1664 (Aluminium Structures code)

All fabrication in accordance with AS- 1664 (Aluminium Structures code). Fabricated by fully certified welders.

Proposed loads & rigging method should be referred to and verified by a site engineer and/or a fully certified rigger

All points should be installed by a certified rigger. Loads have been calculated for **INDOOR USE ONLY**

ie **NO WINDLOADS** are considered, and assume a minimum of two lifting points: ie one at each end of the overall span.

Copyright 2007

METAL FABRICATION FOR THE ENTERTAINMENT INDUSTRY

138 - 146 Browns Road Noble Park Victoria 3174 Tel: 03 9701 2355 Mob: 0409 413 908

Email: mail@brownswelding.com.au Website: www.brownswelding.com.au